

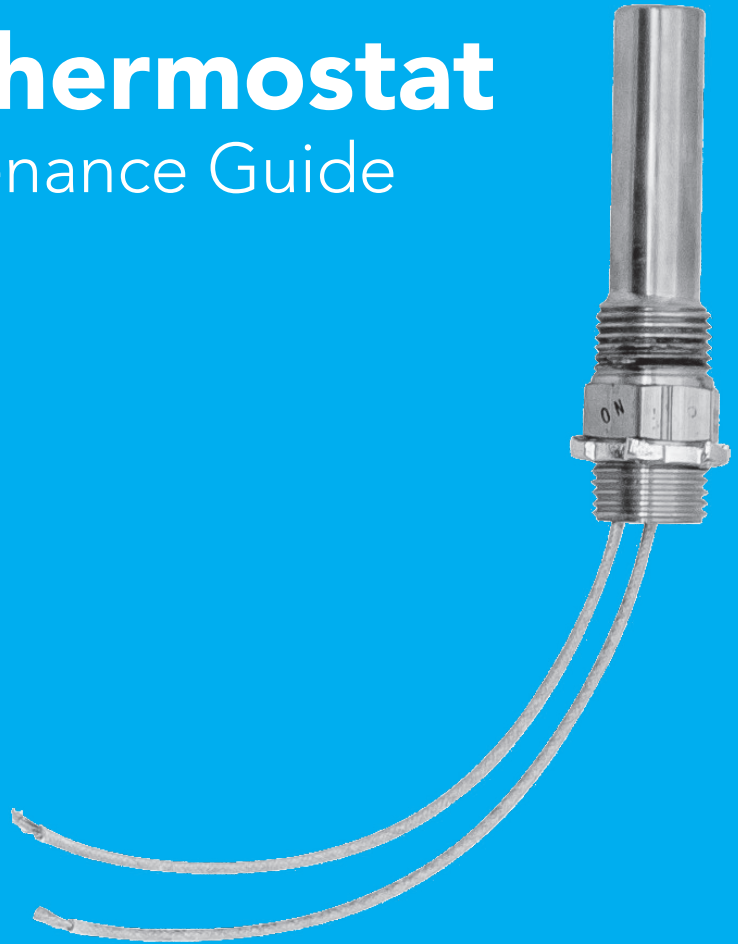


Supreme Air Products Corp. The next generation of compressed air products do more, and do it better.

Adjustable Thermostat

Installation & Maintenance Guide

The adjustable thermostat is factory set at 95°F (35°C). It will normally hold +/- 2°F (1°C) of the desired temperature setting. Rated 120V, 50/60 Hz and is CSA Certified, UL Recognized. Related posts: No related posts.



Version 1.0



CONTACT

ADDRESS

Supreme Air Products Corp,
5-2324 Hurontario Street
Suite 184,
Mississauga ON,
L5A 4K4, Canada

PHONE

Worldwide: 1-647-876-6358

ONLINE

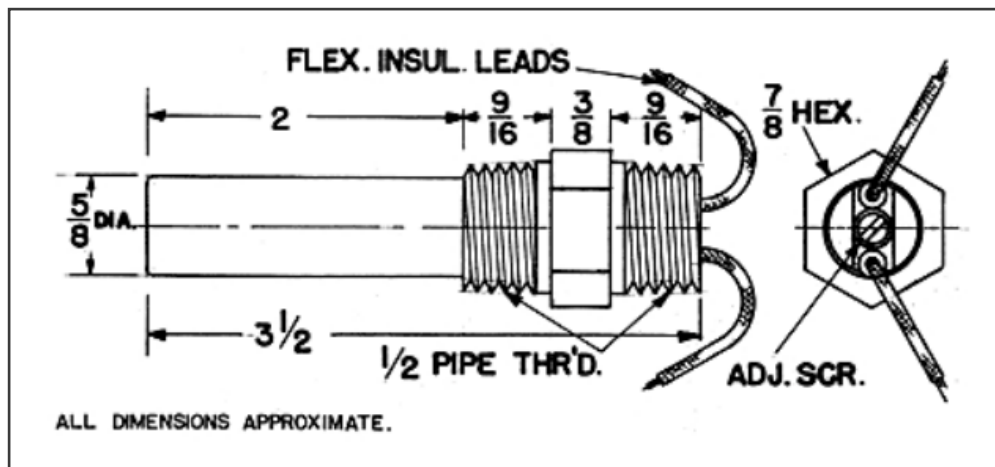
Sales Email: sales@supremeairproducts.com
Tech Email: support@supremeairproducts.com

Website: www.supremeairproducts.com

01 Specifications

Model Description	The Adjustable Thermostat has a 1/2" NPT pipe coupling threaded at both ends for installing into your enclosure. The outer threaded end installs into a standard knockout. The adjustment screw is easily accessible.
Electrical Rating	1200 W 115-230 VAC
Coupling Connection – inches	1/2 NPT
Probe Length – inches	2 inches
Max. Operating Temperature	500°F
Temperature Adjustment	As low as 1°F under ideal conditions
Material	Turn adjustment screw very slightly clockwise to increase the temperature setting. One complete rotation (360°) of the adjustment screw is @ 26°F.

02 Mechanical Drawing



03 How to change the temperature setting

1. You will need a regular thermometer, an empty cup, and a meter to check continuity.
2. Mix hot & cold water in the cup until the thermometer shows the desire temperature you want for the enclosure.
3. Put the smooth plain end (NOT THE THREADED END) of the adjustable thermostat into the water and check for continuity across the leads.
4. Adjust the screw clockwise (Very Slightly) until switching occurs. The thermostat will now be set to actuate at the temperature of the water.
5. Thermostat may be subject to a small amount of set point drift after a few cycles under load due to relaxation of stress and other factors. Check the set point and readjust if required after approximately 100 cycles under load.

04 How to wire the Adjustable Thermostat to the Solenoid Valve

04 How to wire the Adjustable Thermostat to the Solenoid Valve

